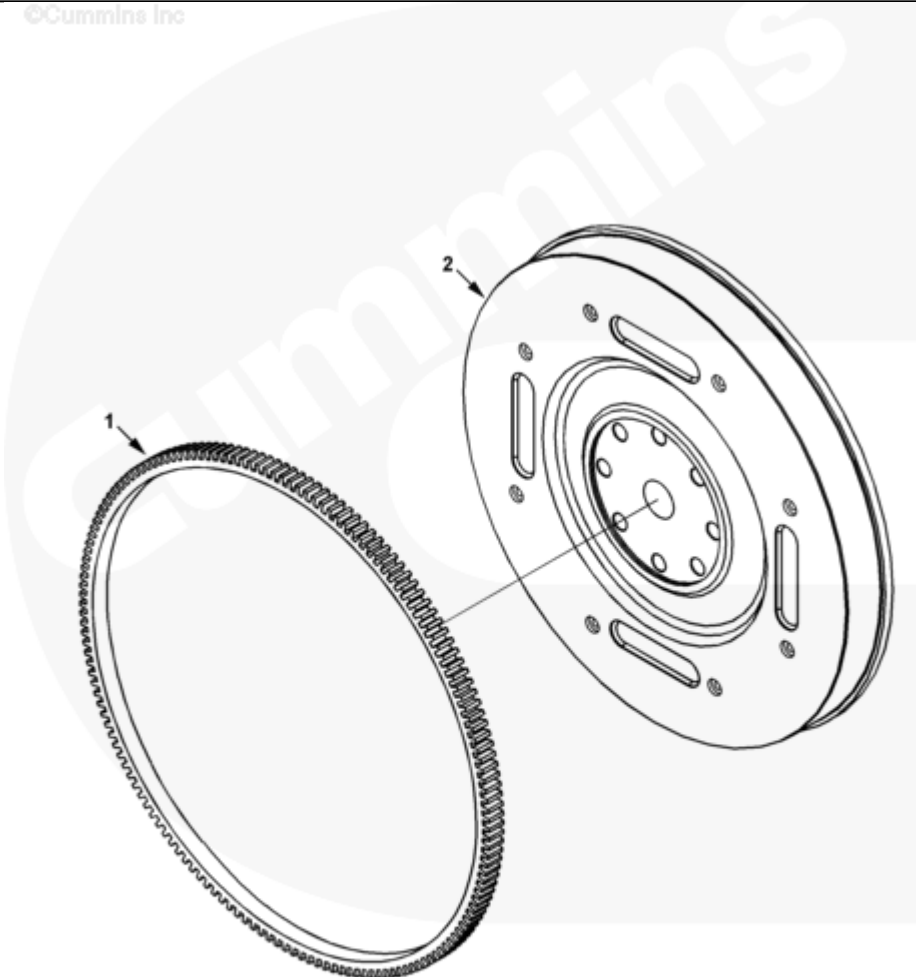




Parts Catalog - Option Detail

Electronic Parts Catalog - Option Detail				
Option	Group	Graphic	Film Card	Date
FW9520	16.02	fw956gk	Z	09-AUG-02
Engines	6C8.3, C GAS PLUS CM556, G8.3, G8.3 CM558, GTA8.3 CM558, ISC CM2150, ISC CM554, ISC CM850, ISC8.3 CM2250, ISC8.3 G CM2180 C101, ISL CM2150, ISL CM554, ISL CM850, ISL G CM2180, ISL8.9 CM2150 L110, ISL8.9 CM2880 L112, ISL9 CM2150 SN, ISL9 CM2250, ISL9 CM2350 L101, ISL9 CM2350 L111, ISLE4 CM850, L GAS PLUS CM556, L8.9, L8.9 L121, L8.9G CMOH2.0 L125B, L9 CM2350 L116B, L9 CM2350 L119B, L9 CM2350 L120C, L9 CM2350 L123B, L9.3 L105, L9.5 L117, L9N CM2380 L124B, QSC8.3 CM2250, QSC8.3 CM2880 C102, QSC8.3 CM554, QSC8.3 CM850(CM2850), QSL9 CM2250, QSL9 CM2250 L115, QSL9 CM2350 L102, QSL9 CM2350 L107, QSL9 CM2350 L118, QSL9 CM2350 L122, QSL9 CM554, QSL9 CM850(CM2850), QSL9 G CM558, QSL9 M CM2250 L106, QSL9.3 CM2880 L113			



fw956gk

[SMALL](#) | [MEDIUM](#) | [LARGE](#)

Cart	Ref No	Part Number	Part Description	Required	Remarks
View My Cart					
		FW9520	Flywheel		MR - FLYWHEEL...(More)
					Ring Gear Diametral Pitch:
					8/10
					Ring Gear Tooth Count: 138
					Ring Gear Outside Diameter
					(mm): 442.77
					Supplier: Cummins
					Type: Flywheel
					Max Full Load Rated Speed
					(Not to Exceed): 3700
					Flywheel Inertia: 1.17
					Flywheel Mounting Flange to
					Ring Gear Leading Edge (mm):
					9.07
					Mounting Web Thickness
					(mm): 16
					Pilot Bearing Bore Diameter
					(mm): 71.973
					Clutch/T.C. Mounting Bolt
					Circle Count: Single
					Clutch/T.C. Mounting Hole
					Count: 8
					Clutch/T.C. Bolt Circle
					Diameter (mm): 333.38
					Clutch/T.C. Mounting Hole
					Spacing: Equal
					Clutch/T.C. Mounting Hole
					Size: 3/8-16 UNC

					2nd Clutch/T.C. Mounting Hole
					Count: N/A
					2nd Clutch/T.C. Bolt Circle
					Diameter (mm): N/A
					2nd Clutch/T.C. Mounting Hole
					Spacing: N/A
					2nd Clutch/T.C. Mounting Hole
					Size: N/A
					Cummins Material Standard:
					41044
					Intended Drive Hardware:
					11.5 inch OC Clutch
<input type="checkbox"/>		3906809	Flywheel	1	
<input type="checkbox"/>	1	3902127	Flywheel Ring Gear	1	
	2	3906808	Flywheel	1	